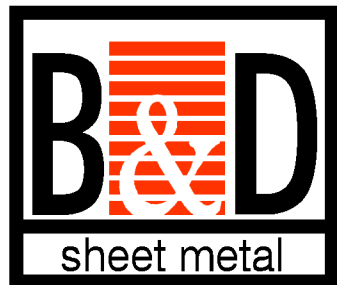
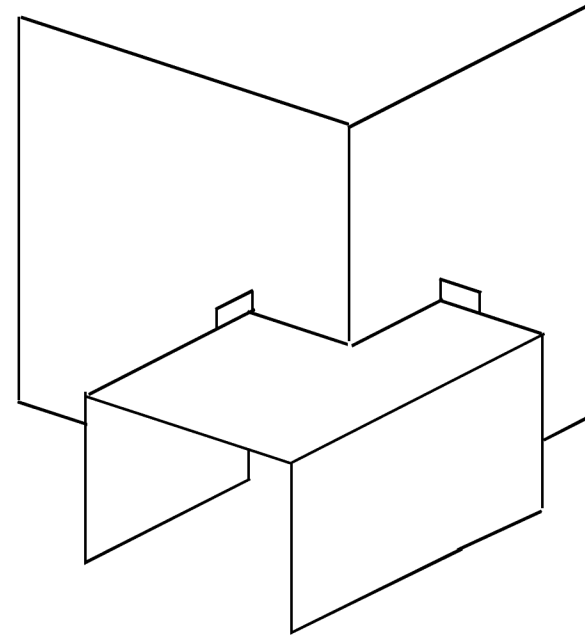
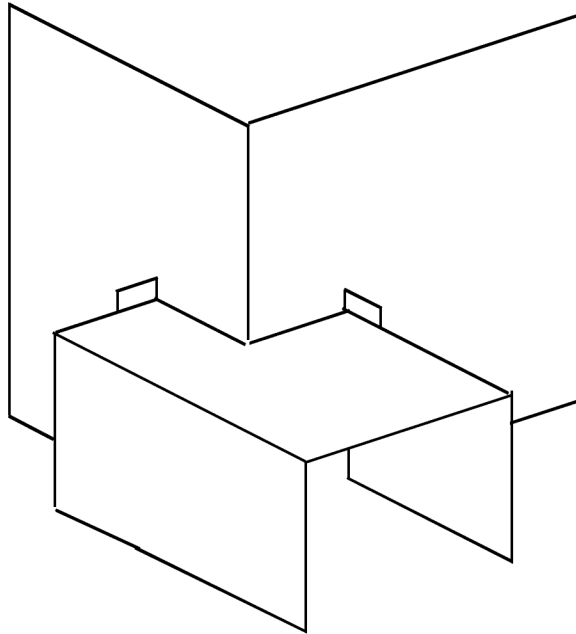


SOLDERED DAMS: Y N



QUALITY SHEET METAL ON TIME

**PHONE: 206 533-0350
FAX: 206 533-0129**

DECK SADDLE BOOT

COMPANY: _____

PH#: _____

JOB: _____

QUANTITY: _____